



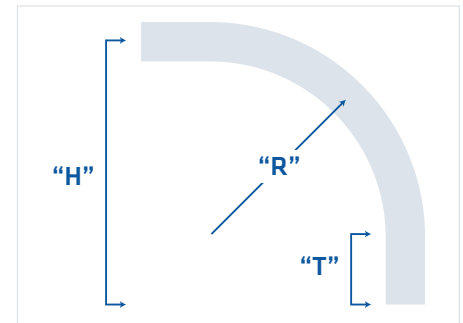
## NEC ELBOWS

# Galvanized Rigid Elbows

### Standard Radius Elbows

- GRC Elbows UL listed and bear the UL label, file #E100475 (UL6)
- Elbows manufactured to ANSI C80.1-1994 specifications

TRADE SIZE	RADIUS "R"	TANGENT "T"	STUB-UP "H"	WEIGHT EA (LBS)
1/2"	4.00"	2.50"	6.50"	0.78"
3/4"	4.50"	2.75"	7.25"	1.11"
1"	5.75"	2.875"	8.375"	1.19"
1-1/4"	7.25"	3.00"	10.25"	3.12"
1-1/2"	8.25"	3.625"	11.875"	4.24"
2"	9.50"	4.50"	14.00"	6.58"
2-1/2"	10.50"	5.25"	15.75"	11.77"
3"	13.00"	5.75"	18.75"	18.50"
3-1/2"	15.00"	6.75"	21.75"	25.78"
4"	16.00"	7.00"	23.00"	32.16"
5"	24.00"	11.00"	36.00"	67.00"
6"	30.00"	12.50"	42.50"	111.83"



### Large Radius Elbows

- GRC Elbows UL listed and bear the UL label, file #E100475 (UL6)
- Elbows manufactured to ANSI C80.1-1994 specifications

RADIUS "R"	TANGENT "T"	OFFSET "H"	UNBENT LENGHT
15"	9"	24"	46"
18"	10"	28"	48"
24"	11"	35"	59"
30"	11"	41"	69"
36"	11"	47"	78"
48"	12"	60"	100"
60"	12"	72"	118"

