



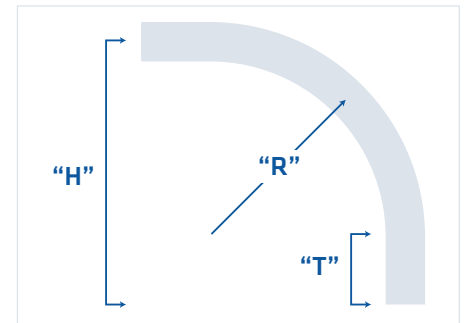
NEC ELBOWS

Electrical Metallic Tubing

Standard Radius Elbows

- EMT Elbows UL listed file #E102090 [UL797]
- Elbows manufactured to ANSI C80.3-1994 specifications, Fed Spec's WW-C-583-A

TRADE SIZE	RADIUS "R"	TANGENT "T"	STUB-UP "H"	WEIGHT EA (LBS)
1/2"	4.00"	2.50"	6.50"	.30
3/4"	4.50"	2.75"	7.25"	.43
1"	5.75"	2.875"	8.375"	.90
1-1/4"	7.25"	3.00"	10.25"	1.40
1-1/2"	8.25"	3.625"	11.875"	2.00
2"	9.50"	4.50"	14.00"	2.80
2-1/2"	10.50"	5.25"	15.75"	4.86
3"	13.00"	5.75"	18.75"	7.04
3-1/2"	15.00"	6.75"	21.75"	10.59
4"	16.00"	7.00"	23.00"	12.74



Large Radius Elbows

- EMT Elbows UL listed file #E102090 [UL797]

RADIUS "R"	TANGENT "T"	OFFSET "H"	UNBENT LENGTH
15"	9"	24"	46"
18"	10"	28"	48"
24"	11"	35"	59"
30"	11"	41"	69"
36"	11"	47"	78"
48"	12"	60"	100"
60"	12"	72"	118"

