



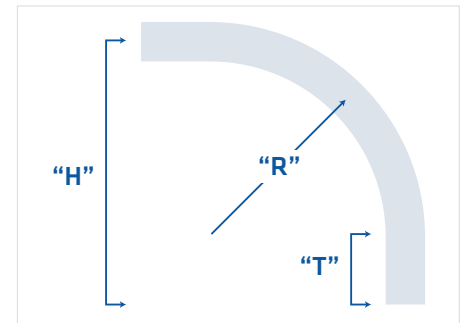
## NEC ELBOWS

# Aluminum Rigid Conduit

### Standard Radius Elbows

- Alum RC Elbows UL listed File #E215519 (UL6A)
- Elbows manufactured to ANSI C80.5-1994 specifications, Fed Spec's WW-C-540-A

TRADE SIZE	RADIUS "R"	TANGENT "T"	STUB-UP "H"	WEIGHT EA (LBS)
1/2"	4.00"	2.50"	6.50"	.26
3/4"	4.50"	2.75"	7.25"	.36
1"	5.75"	2.875"	8.375"	.63
1-1/4"	7.25"	3.00"	10.25"	1.01
1-1/2"	8.25"	3.625"	11.875"	1.40
2"	9.50"	4.50"	14.00"	2.30
2-1/2"	10.50"	5.25"	15.75"	4.08
3"	13.00"	5.75"	18.75"	6.41
3-1/2"	15.00"	6.75"	21.75"	8.93
4"	16.00"	7.00"	23.00"	11.14
5"	24.00"	11.00"	36.00"	24.72
6"	30.00"	12.50"	42.50"	38.72



### Large Radius Elbows

- Alum RC Elbows UL listed file #E215519 (UL6A)

RADIUS "R"	TANGENT "T"	OFFSET "H"	UNBENT LENGTH
12"	7"	19"	33"
15"	9"	24"	46"
18"	10"	28"	48"
24"	11"	35"	59"
30"	11"	41"	69"
36"	11"	47"	78"
48"	12"	60"	100"

