



## BlackGuard PVC Coated Form 8 X Fittings

**BlackGuard** offers a complete line of Form 8 and Form 7 PVC coated conduit bodies. All fittings supplied with PVC coated cast iron covers. The sleeved threaded ends offer complete protection against corrosion while maintaining full ground continuity throughout the installed system.

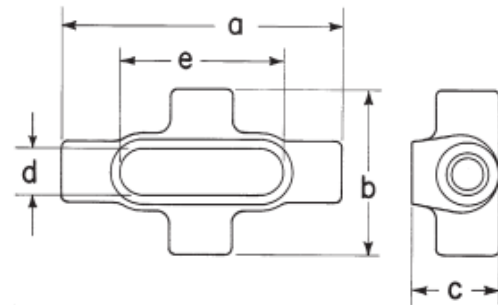
### Features

- Exterior dark grey PVC coating with a minimum thickness of 40 mil
- Interior Urethane coating with a minimum thickness of 2 mil
- Specialized corrosion resistant coating provided on threads
- Sizes available are 1/2" to 4"
- Fittings supplied with plastic encapsulated stainless steel screws
- Sealing sleeves extender 1 pipe diameter or 2 inches, whichever is greater, beyond all female openings.



### Specifications

- UL Standard 514B
- CSA Standard: C22.2 No. 18



PART NUMBER	SIZE	METRIC	A	B	C	D	E	WEIGHT PER 100
PVC-FIT-X0508	1/2"	16	6.69	3.91	1.79	1	3.31	200
PVC-FIT-X0758	3/4"	21	7.78	4.56	2.04	1.19	3.94	260
PVC-FIT-X1008	1"	27	9.31	5.5	2.29	1.38	4.56	310
PVC-FIT-X1258	1-1/4"	35	11	6.63	2.67	1.75	5.31	520
PVC-FIT-X1508	1-1/2"	41	13.38	8.25	2.51	2.13	6.5	750
PVC-FIT-X2008	2"	53	16.25	10.25	3.6	3	8.56	1170