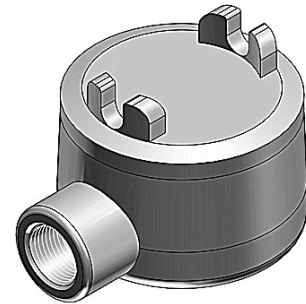


BlackGuard PVC Coated Junction Boxes for Hazardous Locations - GUAB

BlackGuard PVC coated GUA style fittings are available in a variety of shapes and dimensions. GUA style boxes are used in hazardous locations. All GUA style boxes are supplied PVC Coated with PVC Coated covers and a seal between the coating of the boxes and the coating of the covers.

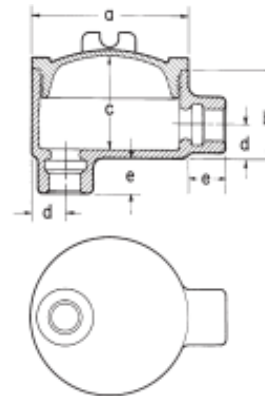
Features

- Exterior dark grey PVC coating with a minimum thickness of 40 mil
- Interior Urethane coating with a minimum thickness of 2 mil
- Sizes available are 1/2" through 2"
- Sealing sleeves extender 1 pipe diameter or 2 inches, whichever is greater, beyond all female openings



Specifications

- National Electrical Code:
 - Class I, Div 1&2, Groups C,D
 - Class II, Div 1, Groups E,F,G
 - Class II, Div 2, Groups F,G
 - Class III • UL Standard 886
- ANSI Standard C-33.27
- CSA Standard: C22.2 No. 30
- NEMA/EEMAC 3, 4



PART NUMBER	SIZE	Cover Opening	A	B	C	D	WEIGHT PER 100	ALUMINUM PART NUMBER
PVC-FIT-GUAB05014	1/2"	2"	2.58	2.29	2.38	0.67	200	
PVC-FIT-GUAB05016	1/2"	3"	3.58	2.04	1.88	0.67	320	PVC-FIT-GUAB05016A
PVC-FIT-GUAB07524	3/4"	2"	2.58	2.54	2.44	0.79	220	
PVC-FIT-GUAB07526	3/4"	3"	2.58	2.04	1.88	0.79	330	PVC-FIT-GUAB07526A
PVC-FIT-GUAB10036	1"	3"	3.58	2.35	2.19	0.92	380	PVC-FIT-GUAB10036A
PVC-FIT-GUAB12547	1-1/4"	3-5/8"	4.33	2.73	2.75	1.13	500	PVC-FIT-GUAB12547A
PVC-FIT-GUAB15059	1-1/2"	5"	5.83	3.85	3.75	1.32	810	PVC-FIT-GUAB15059A
PVC-FIT-GUAB20069	2"	5"	5.83	4.10	4.00	1.60	910	PVC-FIT-GUAB20069A