

BlackGuard PVC Coated Sealing Fittings – FS

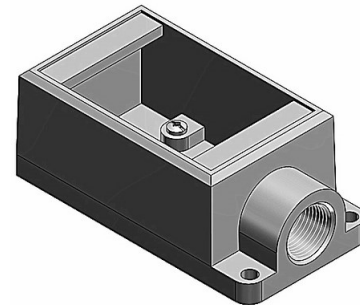
BlackGuard PVC coated device boxes and covers offer corrosion protection to conduit systems and accommodates wiring devices and access for taps and splices. Covers are available separately. Electrical continuity of the conduit system is maintained across assembled system.

Features

- Exterior dark grey PVC coating with a minimum thickness of 40 mil
- Interior Urethane coating with a minimum thickness of 2 mil
- Sizes available are 1/2" through 1"
- Available in Standard (FS) and Deep (FD) Styles
- Sealing sleeve on all conduit openings

Specifications

- UL Standard 514B
- CSA Standard: C22.2 No. 18



PART NUMBER	SIZE	A	B	C	D	WEIGHT PER 100	ALUMINUM PART NUMBER
Single Gang							Single Gang
PVC-FIT-FS050	1/2"	1.38	1.92	1.69	0.67	3.2	PVC-FIT-FS050A
PVC-FIT-FS075	3/4"	1.63	1.92	1.69	0.79	3.3	PVC-FIT-FS075A
PVC-FIT-FS100	1"	2.00	1.92	1.69	0.92	3.5	
Double Gang							Double Gang
PVC-FIT-FS0502	1/2"	1.38	1.92	1.69	0.67	3.2	PVC-FIT-FS0502A
PVC-FIT-FS0752	3/4"	1.63	1.92	1.69	0.79	3.3	PVC-FIT-FS0752A
PVC-FIT-FS1002	1"	2.00	1.92	1.69	0.92	3.5	