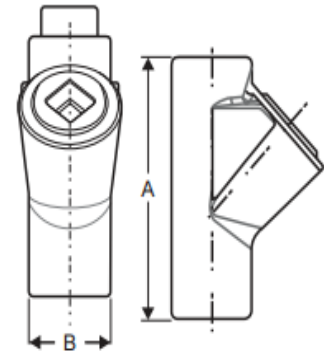


## BlackGuard PVC Coated Sealing Fittings – EYS Male-Female Hubs

**BlackGuard** PVC coated Sealing Fittings used in hazardous locations to prevent flame and gas from continuing to travel through the conduit system. PVC coating provides corrosion protection. A sealing compound should be used on the interior after wiring. Compound supplied by the original fitting manufacturer.

### Features

- Exterior dark grey PVC coating with a minimum thickness of 40 mil
- Interior Urethane coating with a minimum thickness of 2 mil
- Sizes available are 1/2" through 4"
- The length of the sleeve extension(s) shall be at least equivalent to the nominal conduit size for sizes 1/2" - 2". For sizes 2-1/2" - 6", the length of the sleeve extension(s) shall be at least 2".
- Sealing sleeve provided on plug hub (patching compound on top of plug)
- Mating sealing forms provided on all caps
- Sealing sleeves on all conduit openings



### Specification

- |                                 |                            |                             |
|---------------------------------|----------------------------|-----------------------------|
| • EYS-1-3, 11-31,16-36, 116-316 | • EYDX-11-81               | • EYD-1-10, 16-106          |
| • Class groups A, B, C, D       | • Class groups B, C, D     | • EZD-10-60                 |
| • Class II, groups E, F, G      | • Class II, Groups E, F, G | • Class groups C, D         |
| • Class III                     | • Class III                | • Class II, Groups E, F, G  |
| • EYS-41-101, 416-1016          | • EYS-29, 4-014,46-0146    | • Class III                 |
| • EYSX-11-81                    | • EZS-1-8, 16-86           | • UL Standard 886           |
| • EYD-11-101, 116-1016          | • EYSX-9-10                | • CSA Standard: C22.2 No.30 |

PART NUMBER	SIZE	A	B	WEIGHT PER 100
PVC-FIT-EYSMF050	1/2"	5.19	1.33	150
PVC-FIT-EYSMF075	3/4"	5.19	1.58	120
PVC-FIT-EYSMF100	1"	6.31	1.83	260
PVC-FIT-EYSMF125	1-1/4"	7.56	2.27	280
PVC-FIT-EYSMF150	1-1/2"	8.50	2.52	370
PVC-FIT-EYSMF200	2"	10.25	3.08	560
PVC-FIT-EYSMF250	2-1/2"	11.50	3.58	1320
PVC-FIT-EYSMF300	3"	12.50	4.33	1120
PVC-FIT-EYSMF350	3-1/2"	13.19	4.83	1450
PVC-FIT-EYSMF400	4"	13.75	5.33	1500