

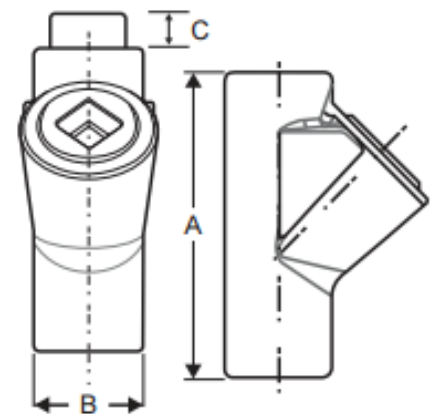


BlackGuard PVC Coated Sealing Fittings – EYS Female Hubs

BlackGuard PVC coated Sealing Fittings used in hazardous locations to prevent flame and gas from continuing to travel through the conduit system. PVC coating provides corrosion protection. A sealing compound should be used on the interior after wiring. Compound supplied by the original fitting manufacturer.

Features

- Exterior dark grey PVC coating with a minimum thickness of 40 mil
- Interior Urethane coating with a minimum thickness of 2 mil
- Sizes available are 1/2" through 4"
- The length of the sleeve extension(s) shall be at least equivalent to the nominal conduit size for sizes 1/2" - 2". For sizes 2-1/2" - 6", the length of the sleeve extension(s) shall be at least 2".
- Sealing sleeve provided on plug hub (patching compound on top of plug)
- Mating sealing forms provided on all caps
- Sealing sleeves on all conduit openings



Specifications

- NEC/CEC:

EYS1-3, 11-31, 16-36, 116-316

Class I, Division 1 & 2, Groups A, B, C, D
Class II, Division 1, Groups E, F, G
Class II, Division 2, Groups F, G
Class III

EYS41-101, 416-1016

Class I, Division 1 & 2, Groups B, C, D
Class II, Division 2, Groups F, G
Class II, Division 1, Groups E, F, G
Class III

EYS29, 4-014, 46-0146; EZS 1-8, 16-86

Class I, Division 1 & 2, Groups C, D
Class II, Division 1, Groups F, G
Class II, Division 2, Groups F, G
Class III

- UL Standard: 886
- CSA Standard: C22.2

PART NUMBER	SIZE	A	B	C	WEIGHT PER 100
Vertical Positions only					
PVC-FIT-EYSFF075	3/4"	5.25	1.58	1-1/4"	150
PVC-FIT-EYSFF100	1"	6.31	1.83	1-1/2"	210
Vert. or Horizontal Positions					
PVC-FIT-EYSFF125	1-1/4"	7.56	2.27	1-5/8"	270
PVC-FIT-EYSFF150	1-1/2"	8.5	2.52	1-7/8"	370
PVC-FIT-EYSFF200	2"	10.25	3.08	2"	470
PVC-FIT-EYSFF250	2-1/2"	11.5	3.58	2"	1000
PVC-FIT-EYSFF300	3"	12.5	4.33	2"	1120
PVC-FIT-EYSFF350	3-1/2"	13.19	4.83	2"	1450
PVC-FIT-EYSFF400	4"	13.75	5.33	2"	1600