



BlackGuard PVC Coated Mogul Fittings - BT

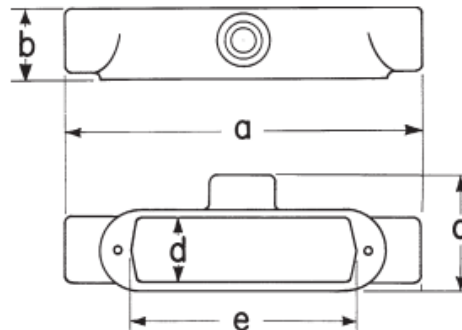
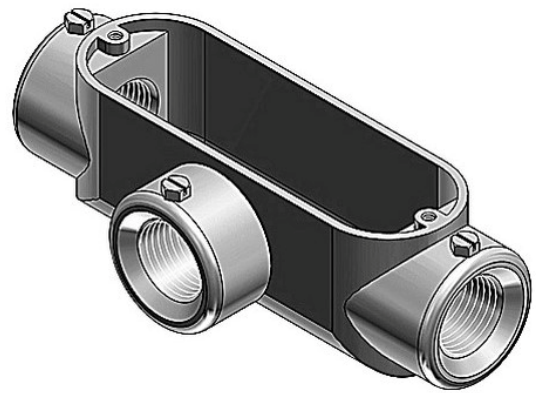
BlackGuard PVC coated mogul style conduit bodies used where an extra larger wiring space is required. They are available in all styles. Sealing mating between cover and fittings provided. Covers sold separately.

Features

- Exterior dark grey PVC coating with a minimum thickness of 40 mil
- Interior Urethane coating with a minimum thickness of 2 mil
- Sizes available are 1/2" through 4"
- Sealing sleeves on all hubs

Specifications

- UL Standard 514B
- CSA Standard: C22.2 No.18



PART NUMBER	SIZE	A	B	C	D	E	WEIGHT PER 100	ALUMINUM PART NUMBER
PVC-FIT-BT100	1"	11.56	1.92	4.20	1.88	6.00	320	PVC-FIT-BT100A
PVC-FIT-BT125	1-1/4"	12.06	2.35	4.45	1.88	6.00	360	PVC-FIT-BT125A
PVC-FIT-BT150	1-1/2"	16.75	2.60	5.60	2.63	10.00	750	PVC-FIT-BT150A
PVC-FIT-BT200	2"	17.75	3.17	6.10	2.63	10.00	900	PVC-FIT-BT200A
PVC-FIT-BT250	2-1/2"	22.38	3.67	7.63	3.81	15.00	1500	PVC-FIT-BT250A
PVC-FIT-BT300	3"	22.38	4.42	7.76	3.81	15.00	1900	PVC-FIT-BT300A
PVC-FIT-BT350	3-1/2"	27.75	4.92	8.92	4.75	20.00	2900	PVC-FIT-BT350A
PVC-FIT-BT400	4"	27.75	5.42	8.92	4.75	20.00	3200	PVC-FIT-BT400A