



BlackGuard PVC Coated Mogul Fittings - BLB

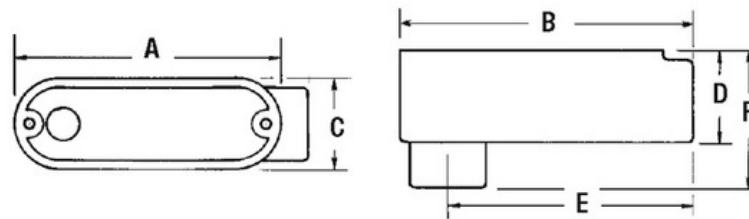
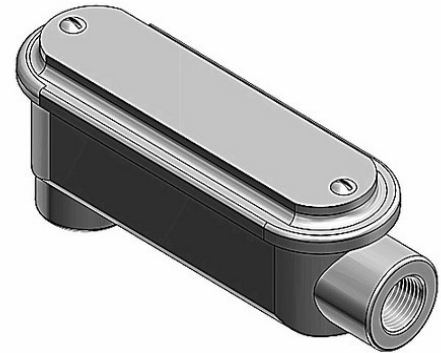
BlackGuard PVC coated mogul style conduit bodies used where an extra larger wiring space is required. They are available in all styles. Sealing mating between cover and fittings provided. Covers sold separately.

Features

- Exterior dark grey PVC coating with a minimum thickness of 40 mil
- Interior Urethane coating with a minimum thickness of 2 mil
- Sizes available are 1/2" through 4"
- Sealing sleeves on all hubs

Specifications

- UL Standard 514B
- CSA Standard: C22.2 No.18



PART NUMBER	SIZE	A	B	C	D	E	WEIGHT PER 100	ALUMINUM PART NUMBER
PVC-FIT-BLB100	1"	9.63	2.88	2.27	1.88	6.00	320	PVC-FIT-BLB100A
PVC-FIT-BLB125	1-1/4"	9.88	3.32	2.27	1.88	6.00	420	PVC-FIT-BLB125A
PVC-FIT-BLB150	1-1/2"	14.23	3.67	3.08	2.63	10.00	600	PVC-FIT-BLB150A
PVC-FIT-BLB200	2"	14.73	4.23	3.08	2.63	10.00	700	PVC-FIT-BLB200A
PVC-FIT-BLB250	2-1/2"	18.95	5.13	4.33	3.81	15.00	1380	PVC-FIT-BLB250A
PVC-FIT-BLB300	3"	18.95	5.88	4.33	3.81	15.00	1750	PVC-FIT-BLB300A
PVC-FIT-BLB350	3-1/2"	24.17	6.54	5.33	4.75	20.00	2500	PVC-FIT-BLB350A
PVC-FIT-BLB400	4"	24.17	7.04	5.33	4.75	20.00	2800	PVC-FIT-BLB400A