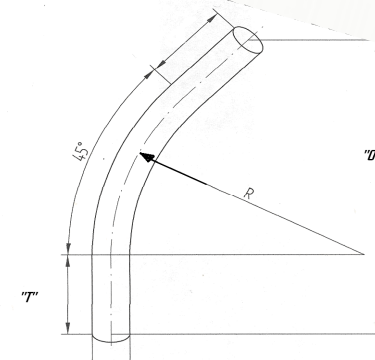




## BlackGuard PVC Coated Galvanized Conduit Special Radius Elbows 45\*DEG

### Features

- Exterior dark grey PVC coating with a minimum thickness of 40 mil
- Interior Urethane coating with a minimum thickness of 2 mil
- UL Listed (E100475)
- Manufactured in compliance with UL6 and NEMRA RN-1



TYPICAL WEIGHT PER ELBOW

Trade Size	RADIUS							
	12"	15"	18"	24"	30"	36"	48"	60"
1"		4	5	6	7	7	8	10
1-1/4"		5	6	7	8	9	10	12
1-1/2"		6	7	9	10	11	13	15
2"		8	10	12	14	15	18	21
2-1/2"		13	16	19	22	24	27	33
3"		16	20	24	28	30	35	41
3-1/2"		19	23	29	33	36	41	49
4"			27	34	39	42	48	58
5"				47	54	58	67	81
6"					76	82	95	114

RADIUS "R"	TANGENT "T"	OFFSET "H"	UNBENT LENGTH
15"	9"	25"	28"
18"	10"	30"	34"
24"	11"	38"	42"
30"	11"	42"	48"
36"	11"	45"	52"
48"	12"	54"	60"
60"	12"	65"	72"